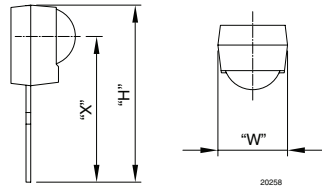
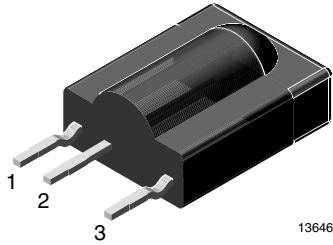


IR Receiver Modules for Remote Control Systems


FEATURES

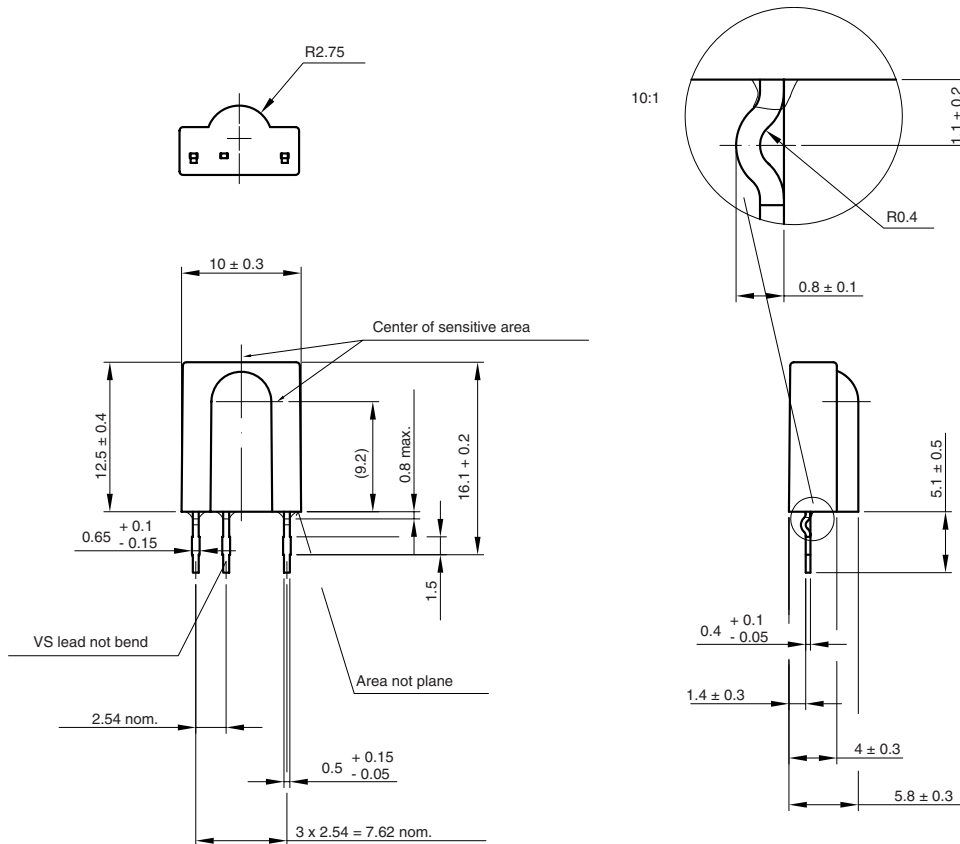
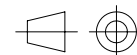
- Compliant to RoHS directive 2002/95/EC and in accordance to WEEE 2002/96/EC


AVAILABLE FOR:

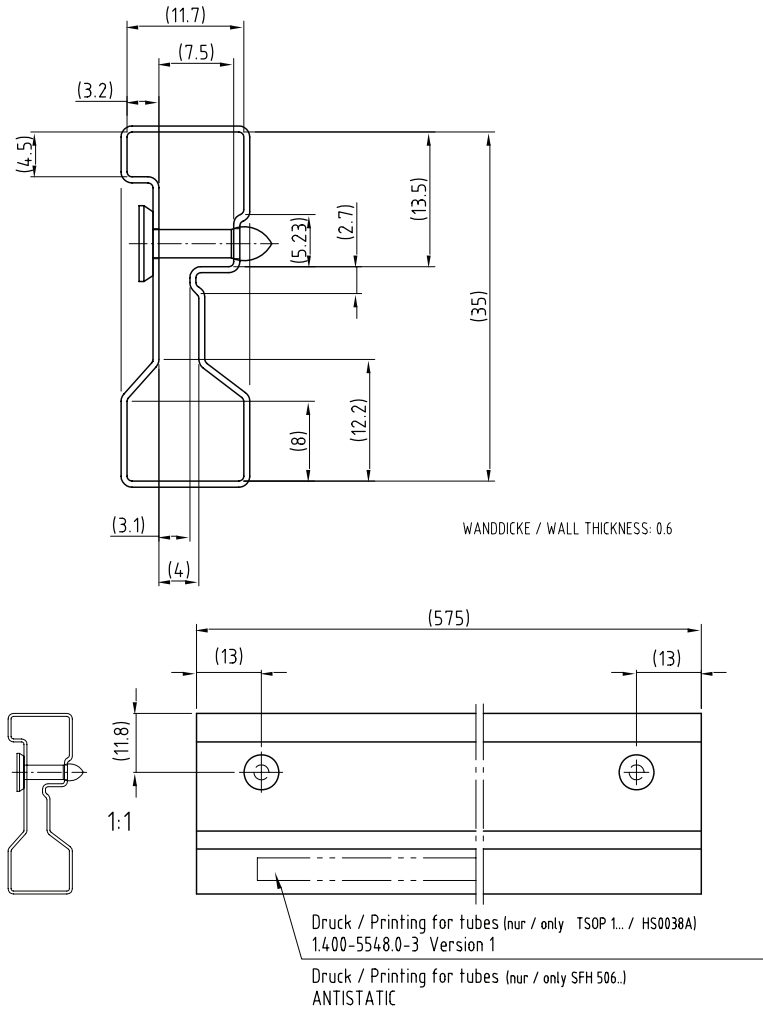
- TSOP31...
- TSOP1...


RoHS
COMPLIANT

NAME	LENS AXIS (X)	VIEW	TYPE	HEIGHT (H)	WIDTH (W)	DEPTH (D)
SE1	14.3		Cut	17.6	10	

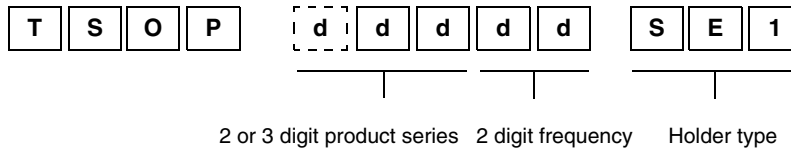
MECHANICAL DIMENSIONS in millimeters

 Drawing-No.: 6.550-5130.01-4
 Issue: 9; 04.08.09
 12830

 technical drawings
 according to DIN
 specifications

PACKAGING DIMENSIONS in millimeters



Drawing-No.: 9.700-5131.0-4
 Rev. 10; Date: 20.11.03
 20306-1

ORDERING INFORMATION



Note

d = "digit", please consult the list of available series on the previous page to create a valid part number.

Example: TSOP31238SE1

PACKING QUANTITY

- 54 pieces per tube
- 20 tubes per carton